



Linde Material Handling

Linde



Order Picker

N20 B | N20-25 | N20-25 HP

Capacity 2.0 – 2.5 t | Series 1115

Flexible all-rounder for order picking

- Operator's platform in front of the battery ensures maximum maneuverability and a clear view of the warehouse environment
- Small turning circle facilitates excellent maneuvering in narrow aisles
- Powerful 3 kW three-phase AC motor allows fast acceleration up to 14 km/h
- Fully suspended operator's platform reduces vibrations and shocks while driving

TECHNICAL DATA (According to VDI 2198)

			Linde				
			N20 B / N20	N25	N20 HP	N25 HP	
Characteristics	1.1	Manufacturer	Linde	Linde	Linde	Linde	
	1.2	Model	N20 B / N20	N25	N20 HP	N25 HP	
	1.2.a	Series	1115-00	1115-00	1115-00	1115-00	
	1.3.	Power Unit	Battery	Battery	Battery	Battery	
	1.4	Operation	Preparation	Preparation	Preparation	Preparation	
	1.5	Load capacity / Load	Q (t)	2.0	2.5	2.0	2.5
	1.6	Load centre	c (mm)	600	1200	600	1200
	1.8	Axle centre to fork face	x (mm)	900/970 ¹⁾	1775/1845 ¹⁾	900/970 ¹⁾	1775/1845 ¹⁾
	1.9	Wheelbase	y (mm)	1346/1416 ^{1) 4)}	2221/2291 ^{1) 4)}	1346/1416 ^{1) 4)}	2221/2291 ^{1) 4)}
Weights	2.1	Service weight	(kg)	943 ⁴⁾	986 ⁴⁾	1057 ⁴⁾	1100 ⁴⁾
	2.2	Axle load with load, front/rear	(kg)	1283/1650 ³⁾	1493/1993 ³⁾	1376/1681 ³⁾	1685/1985 ³⁾
	2.3	Axle load without load, front/rear	(kg)	811/132 ³⁾	831/155 ³⁾	925/132 ³⁾	955/155 ³⁾
Wheels/ Tyres	3.1	Tyres rubber, SE, pneumatic, polyurethane		R + P / P; P + P / P	R + P / P; P + P / P	R + P / P; P + P / P	R + P / P; P + P / P
	3.2	Tyre size, front		ø 254 x 102	ø 254 x 102	ø 254 x 102	ø 254 x 102
	3.3	Tyre size, rear		2x ø 85 x 80 ⁵⁾	2x ø 85 x 80 ⁵⁾	2x ø 85 x 80 ⁵⁾	2x ø 85 x 80 ⁵⁾
	3.4	Additional wheels		2x ø 140 x 50	2x ø 140 x 50	2x ø 125 x 60	2x ø 125 x 60
	3.5	Wheels, number front/rear (x = driven)		1x + 1/2 (1x + 1/4)	1x + 1/2 (1x + 1/4)	1x + 2/2 (1x + 2/4)	1x + 2/2 (1x + 2/4)
	3.6	Track width, front	b10 (mm)	491	491	572	572
	3.7	Track width, rear	b11 (mm)	355/375/395/515	355/375/395/515	355/375/395/515	355/375/395/515
Dimensions	4.4	Lift	h3 (mm)	115	115	115	115
	4.8	Height of seat/stand on platform	h7 (mm)	867/1000	867/1000	867/1000	867/1000
	4.15	Height at the end of the forks in the lowered position	h13 (mm)	85	85	85	85
	4.19	Overall length	l1 (mm)	2507 ⁴⁾	3757 ⁴⁾	2507 ⁴⁾	3757 ⁴⁾
	4.20	Length to fork face	l2 (mm)	1350 ⁴⁾	1350 ⁴⁾	1350 ⁴⁾	1350 ⁴⁾
	4.21	Overall width	b1 (mm)	790	790	790	790
	4.22	Fork dimensions	s/e/l (mm)	55/165/1150	55/165/2400	55/165/1150	55/165/2400
	4.25	Width over forks	b5 (mm)	520/540/560/680	520/540/560/680	520/540/560/680	520/540/560/680
	4.32	Ground clearance, centre of wheelbase	m2 (mm)	160/30 ¹⁾	160/30 ¹⁾	160/30 ¹⁾	160/30 ¹⁾
	4.33	Load dimensions b12 x l6	b12 x l6 (mm)	800 x 1200 lengthwise	2 x 1200 x 800 lengthwise	800 x 1200 lengthwise	2 x 1200 x 800 lengthwise
	4.34	Aisle width with predetermined load dimensions	Ast (mm)	2836/2811 ^{1) 4) 7)}	4079/4067 ^{1) 4) 7)}	2836/2811 ^{1) 4) 7)}	4079/4067 ^{1) 4) 7)}
	4.34.1	Aisle width with pallet 1000 x 1200 across forks	Ast (mm)	3070/3033 ^{1) 4) 7)}	4008/4002 ^{1) 4) 7)}	3070/3033 ^{1) 4) 7)}	4008/4002 ^{1) 4) 7)}
	4.34.2	Aisle width with pallet 800 x 1200 across forks	Ast (mm)	2894/2776 ^{1) 4) 7)}	4008/4002 ^{1) 4) 7)}	2894/2776 ^{1) 4) 7)}	4008/4002 ^{1) 4) 7)}
4.35	Turning radius, initial lift up/down	Wa (mm)	2320/2250 ^{1) 4)}	3195/3125 ^{1) 4)}	2320/2250 ^{1) 4)}	3195/3125 ^{1) 4)}	
Performance	5.1	Travel speed, with/without load	(km/h)	10/12	10/12	12/14	12/14
	5.1.1	Travel speed, backward, with/without load	(km/h)	10	10	10	10
	5.2	Lifting speed, initial lift, with/without load	(m/s)	0.06/0.07	0.06/0.07	0.06/0.07	0.06/0.07
	5.3	Lowering speed, initial lift, with/without load	(m/s)	0.06/0.08	0.06/0.08	0.06/0.08	0.06/0.08
	5.8	Climbing ability, with/without load	(%)	16/13	14/13	15/20	13/20
	5.9	Acceleration time (10 m), with/without load	(s)	5.8/4.5	5.8/4.5	5.8/4.6	5.8/4.6
	5.10	Service brake		Electro-hydraulic	Electro-hydraulic	Electro-hydraulic	Electro-hydraulic
Drive	6.1	Drive motor rating S2 60 min	(kW)	3.0	3.0	3.0	3.0
	6.2	Lift motor rating at S3 10 %	(kW)	1.2	1.5	1.2	1.5
	6.3	Battery according to DIN 43535/36 A/B/C/no		45535 (3 PzS Lateral Change)	45535 (3 PzS Lateral Change)	45535 (3 PzS Lateral Change)	45535 (3 PzS Lateral Change)
	6.4	Battery voltage / capacity (5 h)	(V/Ah)	24/375	24/375	24/375	24/375
	6.5	Battery weight (± 10 %)	(kg)	290	290	290	290
	6.6	Energy consumption according to VDI cycle normalized	(kWh/h)	0.5	0.48	0.52	0.66
	6.7	Turnover output according to VDI cycle	(T/h)	136	162.5	136	162.5
	6.8	Consumption according to turnover output	(kWh/h)	1.46	1.43	1.72	1.97
Others	8.1	Type of drive control		LAC	LAC	LAC	LAC
	10.7	Noise level at operator's ear	(dB(A))	< 85	< 85	< 85	< 85
	Level of vibration felt by the operator	(m/s ²)	0.7	0.7	0.7	0.7	

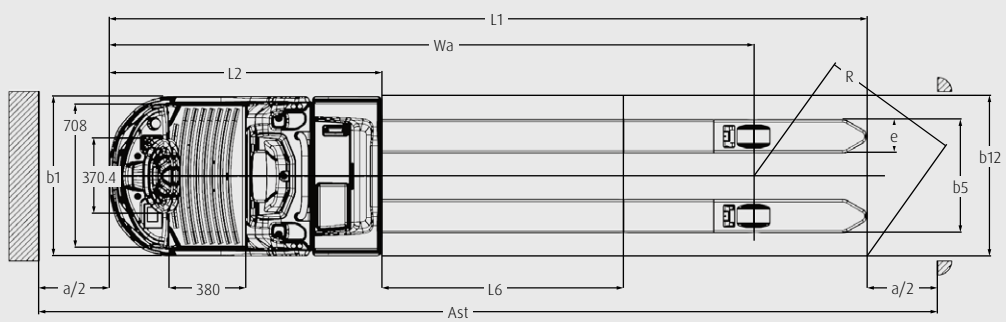
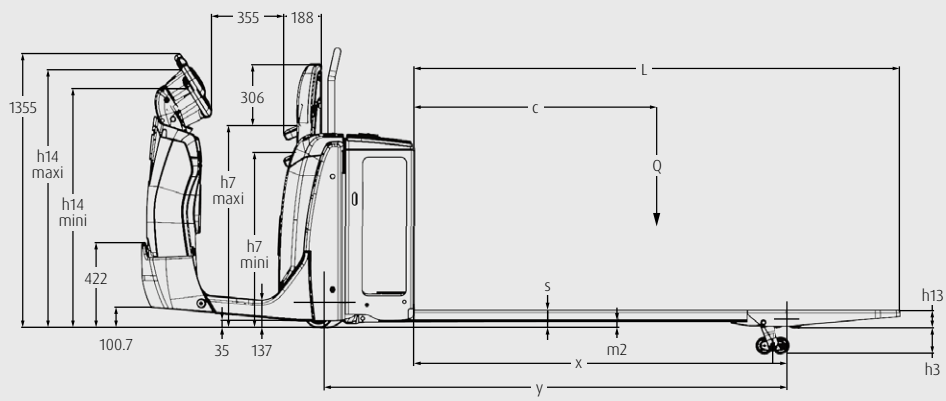
1) High/low position fork arm

3) Weight according to line 2.1

4) With battery line 6.3 (+ 100 mm for 4 PzS)

5) Truck equipped with tandem load wheels

7) Ast = Wa + R + a, Safety distance a = 200 mm





STANDARD AND OPTIONAL EQUIPMENT

Model/Equipment		N20 B	N20	N25	N20 HP	N25 HP
Safety	Front casted steel bumper	●	●	●	●	●
	Front rubber protection (mounted on the casted steel bumper)	○	○	○	○	○
	Linde BlueSpot™	○	○	○	○	○
	Automatic speed reduction when cornering	●	●	●	●	●
	Front feet protection	○	○	○	○	○
	Key switch	●	●	●	●	●
	Log in PIN code	○	○	○	○	○
Service	CAN bus technology	●	●	●	●	●
Digitalisation	Linde connect	○	○	○	○	○
	ac: access control PIN	○	○	○	○	○
	ac: access control RFID	○	○	○	○	○
	Data transfer Wifi	○	○	○	○	○
	Data transfer Online	○	○	○	○	○
	dt: crash detection	○	○	○	○	○
	an: usage analysis	○	○	○	○	○
	Bluetooth USB Stick	○	○	○	○	○
	dt: trouble codes	○	○	○	○	○
Operation / Load Handling	Inching control (forward only or forward / backward)	○	○	○	○	○
	Rear initial lift control	○	○	○	○	○
	Low Speed if initial lift low	○	○	○	○	○
	Initial lift electrical stop sensor	●	●	●	●	●
	Load backrest 1200 mm and 1800 mm	○	○	○	○	○
Environment	Cold store -35°C (in/out)	○	○	○	○	○
Workplace	Fully suspended operator compartment	–	●	●	●	●
	Height adjustable Linde Steering Wheel	–	○	○	○	○
	Basic rounded display	●	–	–	–	–
	Multifunction coloured display hourmeter, maintenance indication, battery discharge indicator and internal fault code indication	–	●	●	●	●
	Fixed roundly-shaped backrest	●	●	●	●	●
	Height adjustable backrest incl. foldable seating support	–	○	○	○	○
	Front bow	○	○	○	○	○
	Rear accessory supports	○	○	○	○	○
	Support data terminal and power supply cable 24 V	○	○	○	○	○
	Support clipboard DIN A4 and support for scanner	○	○	○	○	○
	Shrink wrap pole and rear bin	○	○	○	○	○
	Flashing beacon and working lamp	○	○	○	○	○
	Rear lower storage	○	○	○	○	○
Attachement / Forks	Fork carriage: 520 mm, 540 mm, 560 mm, 680 mm	○	○	○	○	○
	Fork length: ≤ 1600 mm	○	○	–	○	–
	Fork length: > 1600 mm	○	○	○	○	○
	Overhang: 188 mm, 388 mm	○	○	–	○	–
	Overhang: 563 mm, 588 mm	○	○	○	○	○
Axles and Tyres	Drive wheel polyurethane	●	●	●	●	●
	Drive wheel cushion rubber, non marking and wet grip	○	○	○	○	○
	Single load wheels polyurethane	●	●	–	●	–
	Single load wheels (greasable) polyurethane	○	○	–	○	–
	Tandem load wheels polyurethane (greasable)	○	○	○	○	○
	Standard castor wheel	●	●	●	–	–
	Castor wheel with spring and cylinder	–	–	–	●	●
Hydraulic castor wheels	–	–	–	○	○	
Drive and Brake-System	Power assisted steering	●	●	●	●	●
	3 kW AC motor (maintenance free)	●	●	●	●	●
	Electromagnetic braking system	●	●	●	●	●
	Battery compartment, vertical change 3 PzS (345 Ah/375 Ah) and 4 PzS (460 Ah/500 Ah)	●	●	●	●	●
	Battery compartment, side change 3 PzS (345 Ah/465 Ah), incl. ergonomic lever and metal rollers	○	○	○	○	○
	Battery compartment, side change 4 PzS (460 Ah/620 Ah), incl. ergonomic lever and metal rollers	○	○	○	○	○
	Battery compartment, Li-ION battery 4.5 kWh (205 Ah)/9.0 kWh (410 Ah) incl. side plug for opportunity charging	○	○	○	○	○
Li-ION 24 V-Charger	○	○	○	○	○	

● Standard equipment ○ Optional equipment – Not available

CHARACTERISTICS



Linde BlueSpot™ and front LED light

Safety

- The special position of the operator's platform in front of the battery enables the operator to have the best possible view of the surroundings and to react quickly to dangerous situations
- Front LED and optional Linde BlueSpot™ provide additional safety in the warehouse by visually announcing the vehicle
- Three-part brake system adapts flexibly to both the environment and the load weight



Height adjustable backrest with foldable seating support

Ergonomics

- Operator's platform with low access for easy boarding and disembarking
- Driver's platform suspension compensates for vibrations and jolts while driving
- Height adjustable backrest with foldable seating support offers relieve to operators during long transfers
- When reversing, a handle behind the backrest provides additional support
- Many storage compartments provide space for equipment and personal items



Intuitive Linde steering wheel

Handling

- 3 kW three-phase AC motor for effective acceleration to top speeds of up to 14 km/h
- Linde steering wheel and all integrated controls can be operated intuitively with just one hand
- Symbols on the control elements clearly indicate the functions
- Depending on application requirements, lead-acid or optionally lithium-ion batteries are available
- Multifunctional display informs about the current charge status of the order picker
- Initial lift facilitates transport over ramps and uneven surfaces



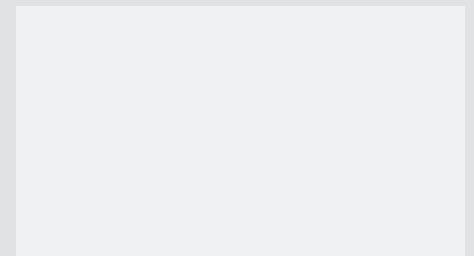
Front casted steel bumper

Service

- Up to 1000 operating hours without service check
- Maintenance-free three-phase AC technology and adjustment-free brakes reduce service costs
- Service components easily accessible after removal of a service panel
- Essential vehicle parameters can be read out via CAN bus connection via laptop
- Robust cast-steel bumper on the front protects the operator's compartment and reduces collision damage

Subject to modification in the interest of progress. Illustrations and technical details could include options and not binding for actual constructions. All dimensions subject to usual tolerances.

Presented by:



Linde Material Handling GmbH
Carl-von-Linde-Platz | 63743 Aschaffenburg | Germany
Phone + 49 6021 99 0 | Fax + 49 6021 99 1570
www.linde-mh.com | info@linde-mh.com

Printed in Germany | 082.e.0,5.0819.IndA.Ki