



Linde Material Handling

Linde



Pallet Truck

T20-25 FP

Capacity 2.0 - 2.5 t | Series 1153

Maneuverability in the tightest of spaces

- 720 mm wide chassis and power steering ensure high maneuverability
- Top speed of 14 km/h (optional) enables fast and efficient load transport
- Steel chassis ensures driver protection in the event of a collision
- Optional fully suspended operator compartment offers comfortable driving experience
- Independent braking systems and dead man's switches protect driver and load



Here you can find more content via your smartphone: [Linde Augmented Reality App](#)



TECHNICAL DATA (According to VDI 2198)

Characteristics	1.1	Manufacturer		Linde	Linde
	1.2	Model		T20 FP	T25 FP
	1.2.a	Series		1153-02	1153-02
	1.3	Power Unit		Battery	Battery
	1.4	Operation		Stand on	Stand on
	1.5	Load capacity/Load	Q (t)	2.0	2.5
	1.6	Load centre distance	c (mm)	600	600
	1.8	Axle centre to fork face	x (mm)	975 ³⁾	975 ³⁾
	1.9	Wheelbase	y (mm)	1478 ³⁾	1478 ³⁾
Weights	2.1	Service weight	(kg)	870 ²⁾	870 ²⁾
	2.2	Axle load with load, front/rear	(kg)	1175/1695 ¹⁾	1288/2082 ¹⁾
	2.3	Axle load without load, front/rear	(kg)	720/150 ¹⁾	720/150 ¹⁾
Wheels/Tyres	3.1	Tyres: band, full flexible, inflatable, polyurethane, rubber		R + P/P	R + P/P
	3.2	Tyre size, front		Ø 230 × 90/230 × 100	Ø 230 × 90/230 × 100
	3.3	Tyre size, rear		Ø 85 × 85 (boggies 85 × 60)	Ø 85 × 85 (boggies 85 × 60)
	3.4	Auxiliary wheels (dimensions)		Ø 2 × 125 × 60	Ø 2 × 125 × 60
	3.5	Wheels, number front/rear (x = driven)		1x + 2/2 (1x + 2/4)	1x + 2/2 (1x + 2/4)
	3.6	Track width, front	b10 (mm)	502	502
	3.7	Track width, rear	b11 (mm)	380	380
Dimensions	4.4	Lift	h3 (mm)	125	125
	4.9	Height of tiller arm in operating position, min/max	h14 (mm)	1000/1100	1000/1100
	4.15	Height, lowered	h13 (mm)	86 ³⁾	86 ³⁾
	4.19	Overall length	l1 (mm)	2320 ⁴⁾	2320 ⁴⁾
	4.20	Length to fork face	l2 (mm)	1170 ⁴⁾	1170 ⁴⁾
	4.21	Overall width	b1 (mm)	720	720
	4.22	Dimension of fork arms	s/e/l (mm)	55/165/1150	55/165/1150
	4.25	Width over forks	b5 (mm)	520/540/560/680	520/540/560/680
	4.32	Ground clearance, centre of wheelbase	m2 (mm)	35 ³⁾	35 ³⁾
	4.33	Load dimension	b12 × l6 (mm)	800 × 1200	800 × 1200
	4.34	Aisle width with pallet 800 × 1200 along forks	Ast (mm)	2790 ⁴⁾⁵⁾	2790 ⁴⁾⁵⁾
4.35	Turning radius fork up/down	Wa (mm)	2095/2165 ⁴⁾	2095/2165 ⁴⁾	
Performance	5.1	Travel speed, with/without load	(km/h)	10/12 ⁶⁾	10/12 ⁶⁾
	5.2	Initial lifting speed, with/without load	(m/s)	0.036/0.046	0.028/0.036
	5.3	Initial lowering speed, with/without load	(m/s)	0.090/0.089	0.066/0.072
	5.8	Maximum climbing ability, with/without load	(%)	13/20	11/20
	5.9	Acceleration time, with/without load	(s)	5.9/5.1	6.1/5.1
	5.10	Service brake		Electro magnetic	Electro magnetic
Drive	6.1	Drive motor rating S2 60 min	(kW)	3	3
	6.2	Lift motor rating at S3 10 %	(kW)	1.2	1.5
	6.3	Battery according to DIN 43 535		3 PzS SL	3 PzS SL
	6.4	Battery voltage/rated capacity (5 h)	(V/Ah)	24/375	24/375
				3 PzS SL Li-ION 205 Ah: 23/205	3 PzS SL Li-ION 205 Ah: 23/205
				3 PzS SL Li-ION 410 Ah: 23/410	3 PzS SL Li-ION 410 Ah: 23/410
	6.5	Battery and battery housing weight (± 10 %)	(kg)	290	290
				3 PzS SL Li-ION 205 Ah: 190	3 PzS SL Li-ION 205 Ah: 190
6.6	Power consumption according to VDI cycle	(kWh/h)	0.43	0.51	
6.7	Turnover output	(t/h)	152	177.5	
6.8	Power consumption at turnover output	(kWh/h)	1.74	1.68	
Others	8.1	Type of drive unit		LAC	LAC
	10.7	Sound level at driver's ear	(dB(A))	62	62

1) Weight according to line 2.1

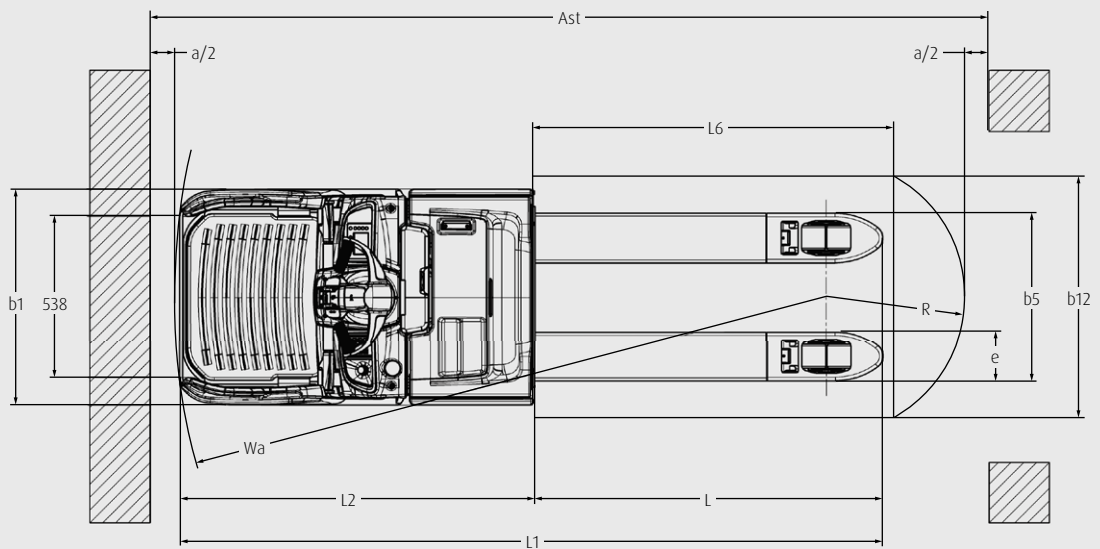
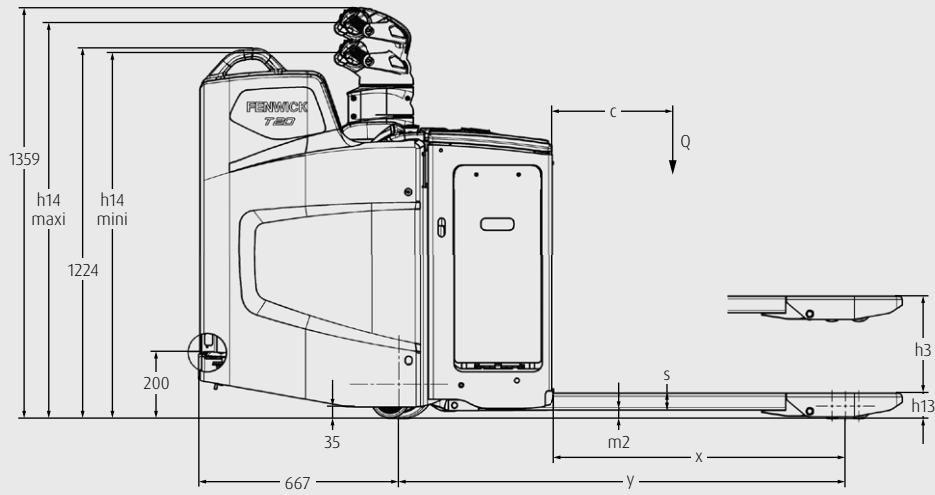
2) With the battery line 6.5

3) Forks down

4) Add 75 mm for 4 PzS

5) Forks up; Ast = Wa + R + a, safety distance a = 200 mm

6) Other speeds available





STANDARD AND OPTIONAL EQUIPMENT

Model/Equipment		T20 FP	T25 FP
Safety	Key switch	●	●
	PIN Code	○	○
	Linde BlueSpot™	○	○
	Lift end stop sensor	○	○
Digitalisation	Linde connect:	○	○
	ac:access control PIN	○	○
	ac:access control RFID dual	○	○
	Data transfer online	○	○
	Data transfer WiFi	○	○
	dt:crash detection	○	○
	an:usage analysis	○	○
	dt:trouble codes	○	○
	Bluetooth USB stick	○	○
Operation / Load Handling	Low speed if initial lift low	○	○
Environment	Cold store -35 °C (in/out)	○	○
Workplace	Fully suspended operator compartment	○	○
	Height adjustable console	○	○
	Front bow	○	○
	Front support data terminal	○	○
	Front power supply cable 24 V	○	○
	Front scanner support	○	○
	Front clipboard	○	○
	Load backrest 1200 mm and 1800 mm	○	○
	Working lamp	○	○
	Basic rounded display	●	●
Multifunction color display	○	○	
Attachment / Forks	Fork carriage: 520 mm, 540 mm, 560 mm, 680 mm	○	○
	Fork length up to 2400 mm	○	○
	Overhang: 188 mm, 563 mm	○	○
Axles and Tyres	Drive wheel polyurethane	●	●
	Drive wheel cushion rubber, cushion rubber with tread, non marking and wet grip	○	○
	Single load wheel polyurethane	●	●
	Single load wheel polyurethane (greasable)	○	○
	Tandem load wheel polyurethane and greasable	○	○
	Castor wheels	●	●
	Castor wheels spring cylinder	○	○
Hydraulic castor wheels	○	○	
Drive and Brake-System	Battery compartment, vertical change 3 PzS (345/375 Ah) and 4 PzS (460/500 Ah)	○	○
	Battery compartment, lateral change 3 PzS and 3 PzS+door (345/375 Ah) incl. ergonomic bat. un/locking with lever	○	○
	Battery compartment, lateral change 4 PzS and 4 PzS+door (460/500 Ah) incl. ergonomic bat. un/locking with lever	○	○
	Battery compartment, Li-ION battery 4.5 kWh (205 Ah) and 9.0 kWh (410 Ah) with side plug for easy opportunity charging	○	○
	Automatic watering system	○	○
Li-ION 24 V chargers	○	○	

● Standard equipment ○ Optional equipment – Not available

CHARACTERISTICS



Operator remains safe within the chassis contours

Safety

- Low steel chassis protects the driver in minor collisions
- Complete surface of the driver's platform functions as dead man's switch
- Independent braking systems protect driver and load
- Automatically adjusted speed when cornering prevents overturning
- Optional Linde BlueSpot™ for improved vehicle visibility



Ergonomic, height adjustable control handle

Ergonomics

- Ergonomic control handle for comfortable and precise handling
- Optional height adjustable control handle can be adapted to the needs of the driver
- Optional fully suspended operator compartment protects against vibrations and shocks
- Generous storage compartments offer space for work equipment



Easy maneuverability with a compact chassis

Handling

- Compact chassis and power steering make the vehicle extremely maneuverable
- Load capacity of 2000 and 2500 kg ensures efficient load transport
- Powerful 2.3 kW motor enables strong acceleration
- Top speeds of up to 14 km/h (optional) allow fast load transport



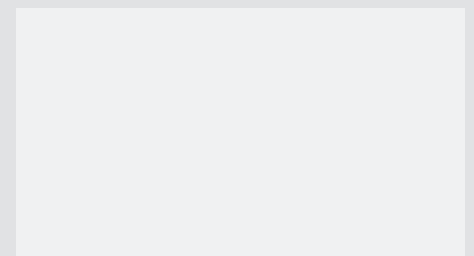
Easy access to all data with multifunction display

Service

- CAN bus connection enables fast analysis of vehicle data using a laptop computer
- Free access to relevant vehicle components facilitates maintenance
- Maintenance-free AC drive ensures short downtimes
- Digital instrument display provides an overview of important data

Subject to modification in the interest of progress. Illustrations and technical details could include options and not binding for actual constructions. All dimensions subject to usual tolerances.

Presented by:



Linde Material Handling GmbH
Carl-von-Linde-Platz | 63743 Aschaffenburg | Germany
Phone + 49 6021 99 0 | Fax + 49 6021 99 1570
www.linde-mh.com | info@linde-mh.com

Printed in Germany | 135.e.0,5.1019.IndA.Ki